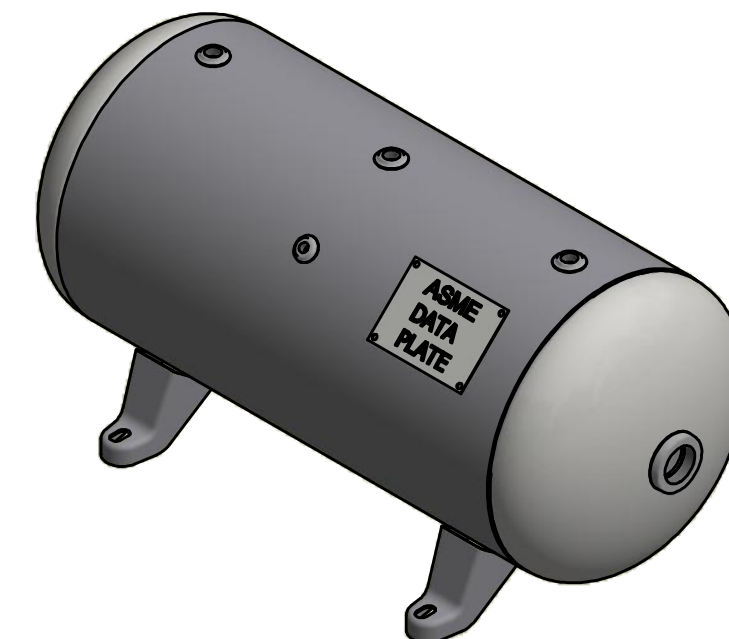
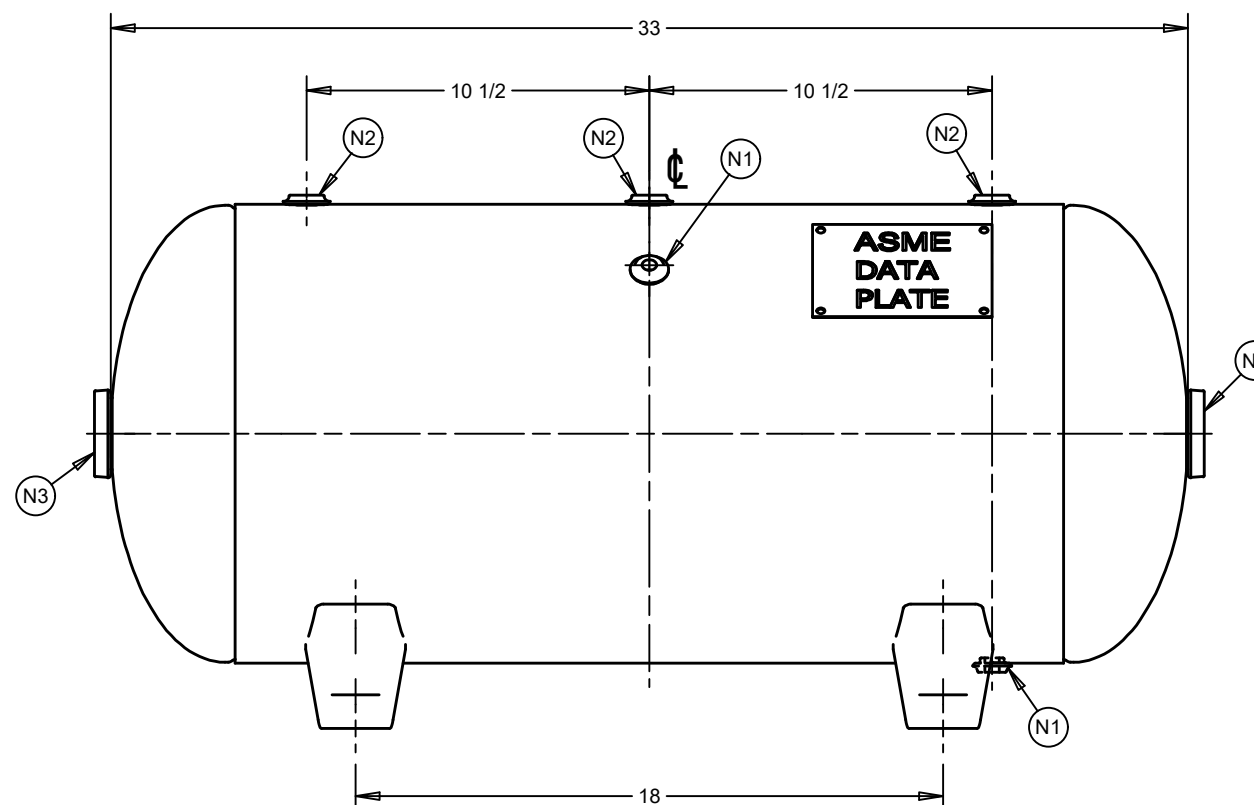
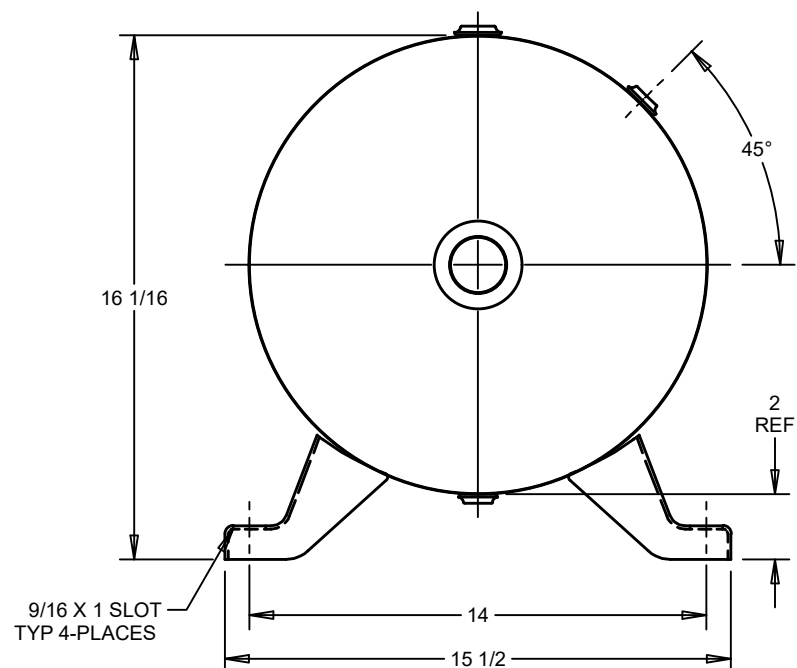


NOZZLE CHART	
NOZZLE ID	NPT SIZE
N1	1/4
N2	1/2
N3	1 1/2



DESIGN INFORMATION	
SPECIFICATION	VALUE
DIAMETER O.D./I.D.	14 O.D.
MAWP	200 PSI AT 450°F
MDMT	-20°F AT 200 PSI
CAPACITY	APPROX 20 GALLONS
SHIPPING WEIGHT	59 LBS
CRN	H7952.5C

(BUILT IN ACCORDANCE WITH LATEST EDITION OF SECTION VIII DIV 1 ASME CODE)

THIS DRAWING & SPECIFICATIONS ARE PROPERTY OF SPVG AND MAY NOT BE COPIED, REPRODUCED, OR USED IN WHOLE OR PART, AS A BASIS FOR DESIGN MANUFACTURE OR SALE WITHOUT PRIOR PERMISSION FROM SPVG.

REV	DESCRIPTION	BY	DATE
B14	ISSUED		

TITLE		DESIGN INFORMATION			
HORIZONTAL AIR RECEIVER					
CUSTOMER		DRAWN	CHECKED	DRAWING NO	REV
STOCK		KAT	DMM	A10025	B14
		9/12/2016	10/10/2016		
		TYPE	ASME		
		SIZE: B	SHEET 1 OF 1		