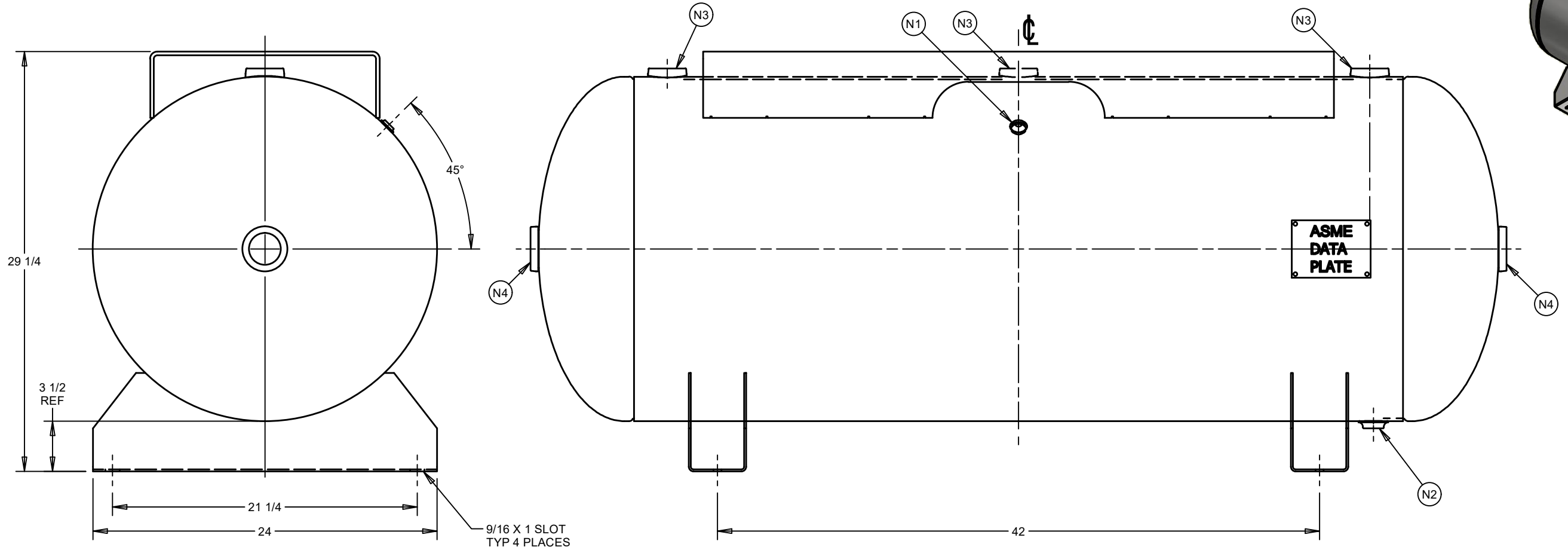
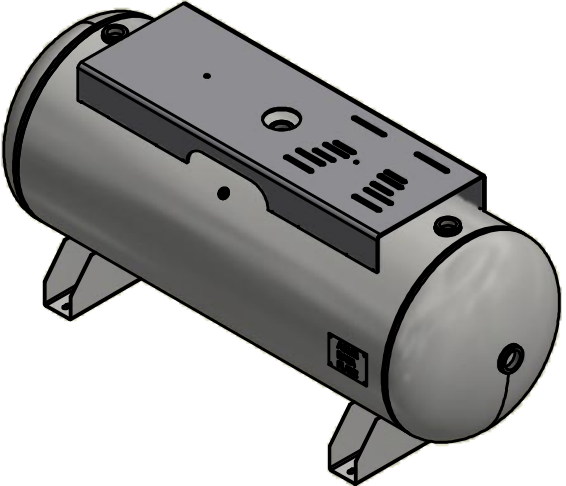


NOZZLE CHART	
NOZZLE ID	NPT SIZE
N1	1/4
N2	3/4
N3	1 1/2
N4	2



DESIGN INFORMATION	
SPECIFICATION	VALUE
DIAMETER O.D./I.D.	24 O.D.
MAWP	200 PSI AT 450°F
MDMT	-20°F AT 200 PSI
CAPACITY	APPROX 120 GALLONS
SHIPPING WEIGHT	383 LBS
CRN	L4034.5C

TITLE HORIZONTAL AIR RECEIVER			
CUSTOMER STOCK		DRAWN KAT	CHECKED DMM
TYPE ASME		DRAWING NO A10034	REV D14
REV		SIZE: B	SHEET 1 OF 1

(BUILT IN ACCORDANCE WITH LATEST EDITION OF SECTION VIII DIV 1 ASME CODE)

THIS DRAWING & SPECIFICATIONS ARE PROPERTY OF SPVG AND MAY NOT BE COPIED, REPRODUCED, OR USED IN WHOLE OR PART, AS A BASIS FOR DESIGN MANUFACTURE OR SALE WITHOUT PRIOR PERMISSION FROM SPVG.

REV	DESCRIPTION	BY	DATE
D14	ISSUED		