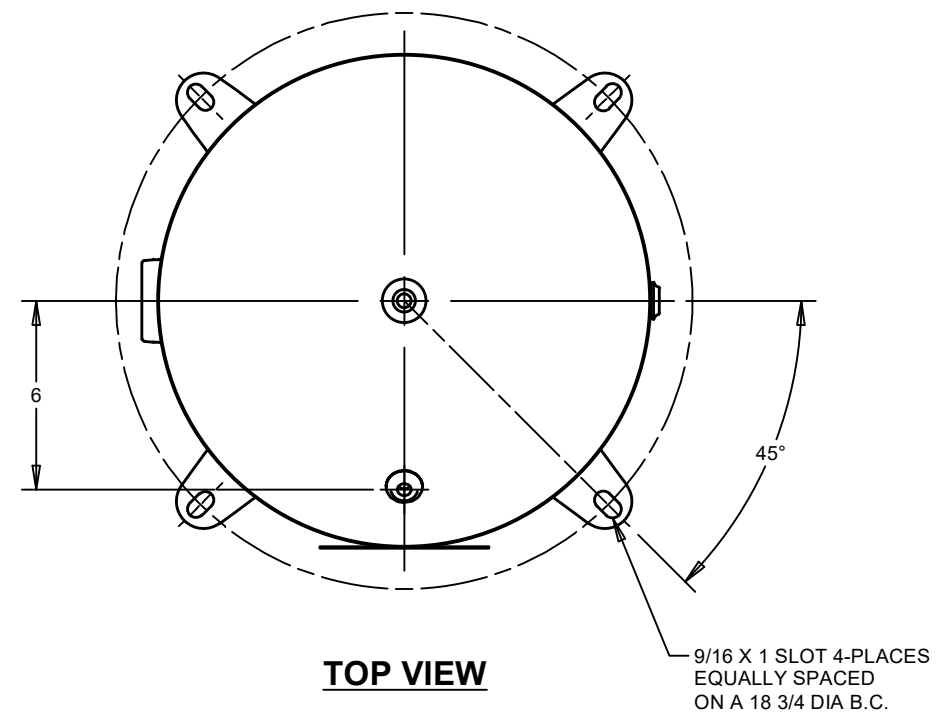
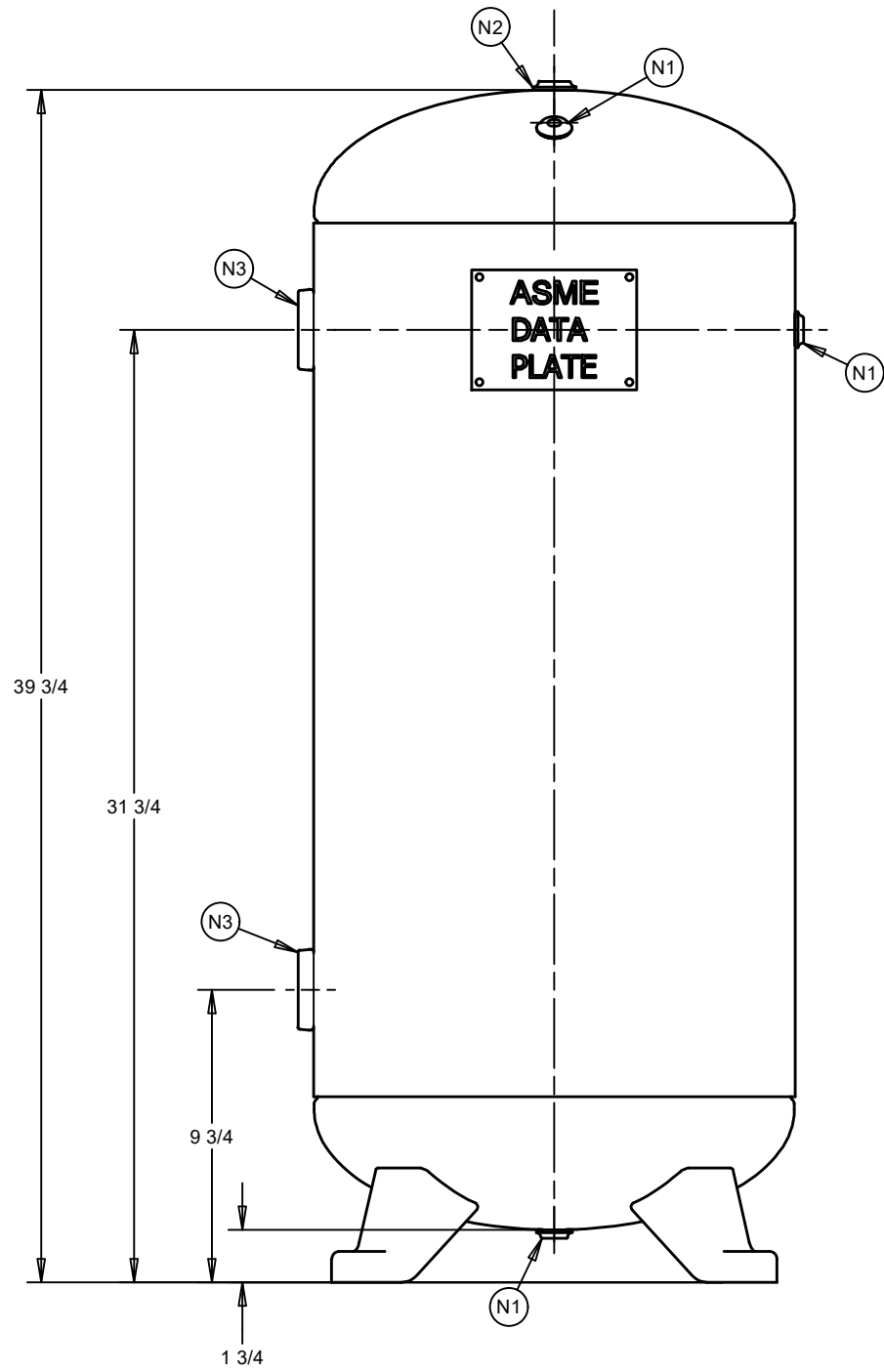


| NOZZLE CHART |          |
|--------------|----------|
| NOZZLE ID    | NPT SIZE |
| N1           | 1/4      |
| N2           | 1/2      |
| N3           | 1 1/2    |



| DESIGN INFORMATION |                   |
|--------------------|-------------------|
| SPECIFICATION      | VALUE             |
| DIAMETER O.D./I.D. | 16 O.D.           |
| MAWP               | 200 PSI AT 400°F  |
| MDMT               | -20°F AT 200 PSI  |
| CAPACITY           | APPROX 30 GALLONS |
| SHIPPING WEIGHT    | 84 LBS            |
| CRN                | L4032.5C          |

|                                       |  |                          |                             |                             |                   |
|---------------------------------------|--|--------------------------|-----------------------------|-----------------------------|-------------------|
| TITLE<br><b>VERTICAL AIR RECEIVER</b> |  |                          |                             |                             |                   |
| CUSTOMER<br><b>STOCK</b>              |  | DRAWN<br>KAT<br>9/1/2016 | CHECKED<br>DMM<br>9/20/2016 | DRAWING NO<br><b>A10040</b> | REV<br><b>C16</b> |
| TYPE<br>ASME                          |  | SIZE: B SHEET 1 OF 1     |                             |                             |                   |

(BUILT IN ACCORDANCE WITH LATEST EDITION OF SECTION VIII DIV 1 ASME CODE)

THIS DRAWING & SPECIFICATIONS ARE PROPERTY OF SPVG AND MAY NOT BE COPIED, REPRODUCED, OR USED IN WHOLE OR PART, AS A BASIS FOR DESIGN MANUFACTURE OR SALE WITHOUT PRIOR PERMISSION FROM SPVG.

|     |             |    |      |
|-----|-------------|----|------|
| C16 | ISSUED      |    |      |
| REV | DESCRIPTION | BY | DATE |