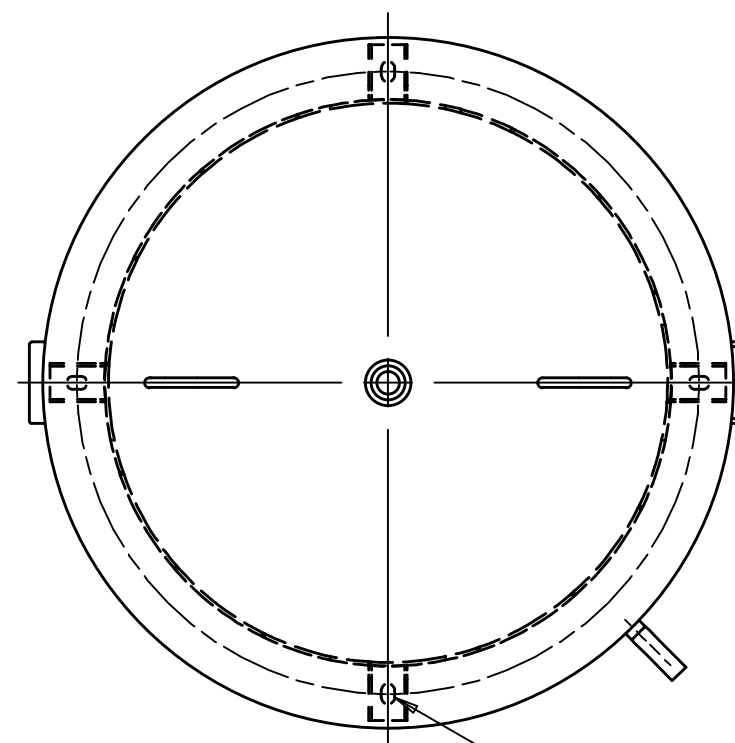
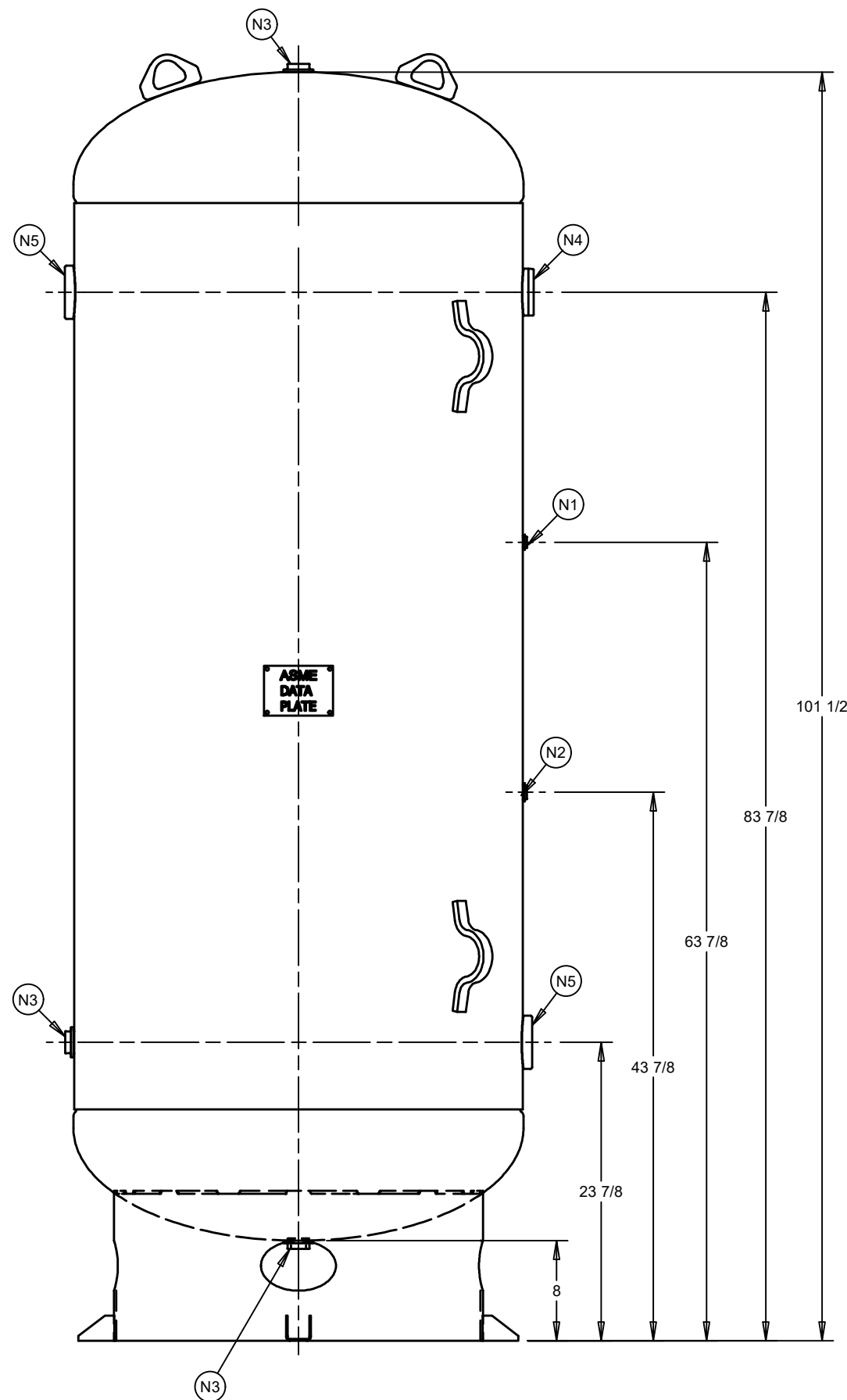


NOZZLE CHART	
NOZZLE ID	NPT SIZE
N1	1/4
N2	1/2
N3	1
N4	2 1/2
N5	3



TOP VIEW

11/16 X 1 1/16 SLOT 4-PLACES
EQUALLY SPACED
ON A 32 7/16 DIA BC



DESIGN INFORMATION	
SPECIFICATION	VALUE
DIAMETER O.D./I.D.	36 O.D.
MAWP	200 PSI AT 400°F
MDMT	-20°F AT 200 PSI
CAPACITY	APPROX 400 GALLONS
SHIPPING WEIGHT	858 LBS
CRN	M1543.5C

TITLE VERTICAL AIR RECEIVER			
CUSTOMER STOCK			
DRAWN KAT 9/8/2016	CHECKED DMM 10/7/2016	DRAWING NO A10056X	REV F13
TYPE ASME		SIZE: B SHEET 1 OF 1	

REV	DESCRIPTION	BY	DATE
F13	ISSUED		

(BUILT IN ACCORDANCE WITH LATEST EDITION OF SECTION VIII DIV 1 ASME CODE)

THIS DRAWING & SPECIFICATIONS ARE PROPERTY OF SPVG AND MAY NOT BE COPIED, REPRODUCED, OR USED IN WHOLE OR PART, AS A BASIS FOR DESIGN MANUFACTURE OR SALE WITHOUT PRIOR PERMISSION FROM SPVG.