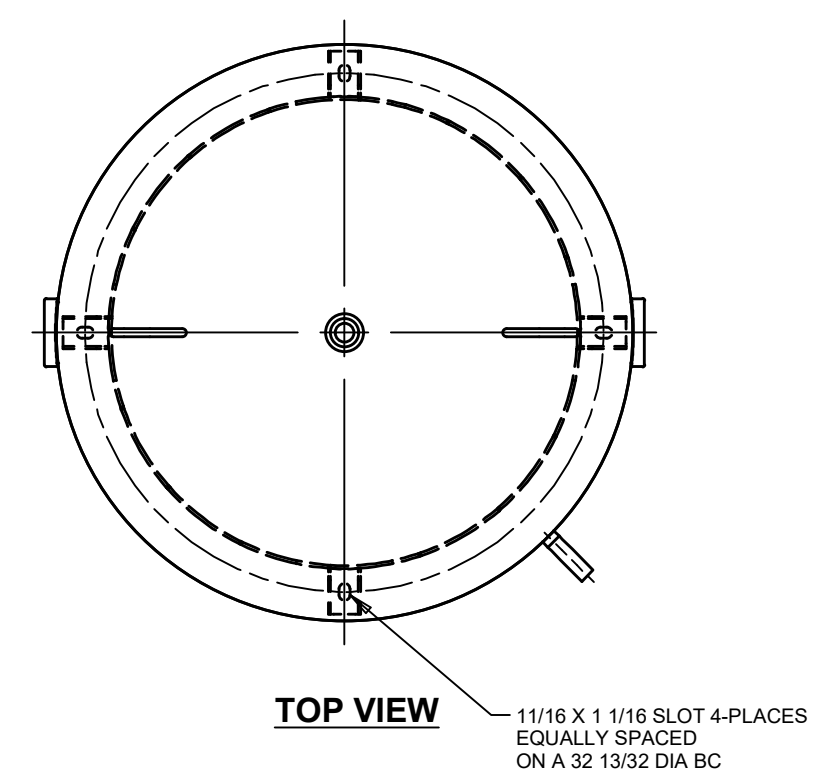
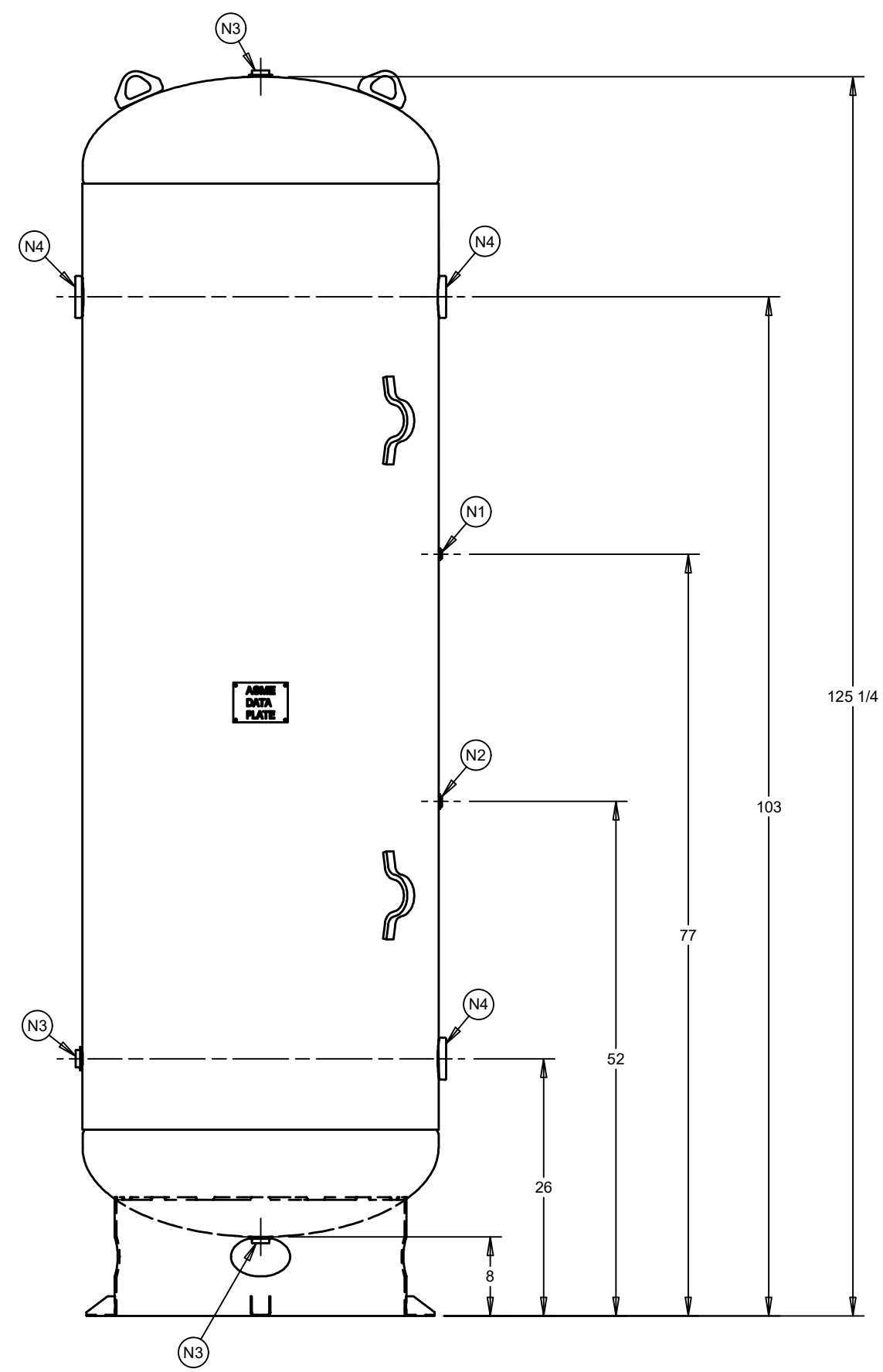


| NOZZLE CHART | |
|--------------|----------|
| NOZZLE ID | NPT SIZE |
| N1 | 1/4 |
| N2 | 1/2 |
| N3 | 1 |
| N4 | 3 |



| DESIGN INFORMATION | |
|--------------------|--------------------|
| SPECIFICATION | VALUE |
| DIAMETER O.D./I.D. | 36 O.D. |
| MAWP | 165 PSI AT 400°F |
| MDMT | -20°F AT 165 PSI |
| CAPACITY | APPROX 500 GALLONS |
| SHIPPING WEIGHT | 867 LBS |
| CRN | M9775.5C |

(BUILT IN ACCORDANCE WITH LATEST EDITION OF SECTION VIII DIV 1 ASME CODE)
 THIS DRAWING & SPECIFICATIONS ARE PROPERTY OF SPVG AND MAY NOT BE COPIED, REPRODUCED, OR USED IN WHOLE OR PART, AS A BASIS FOR DESIGN MANUFACTURE OR SALE WITHOUT PRIOR PERMISSION FROM SPVG.

| REV | DESCRIPTION | BY | DATE |
|-----|-------------|----|------|
| C18 | ISSUED | | |

| | | | | | |
|--------------------------------|--|--------------------------|-----------------------------|-----------------------------|-------------------|
| TITLE VERTICAL AIR RECEIVER | | | | | |
| CUSTOMER STOCK | | DRAWN KAT 9/9/2016 | CHECKED DMM 10/7/2016 | DRAWING NO A10129 | REV C18 |
| TYPE ASME | | SIZE: B | | SHEET 1 OF 1 | |