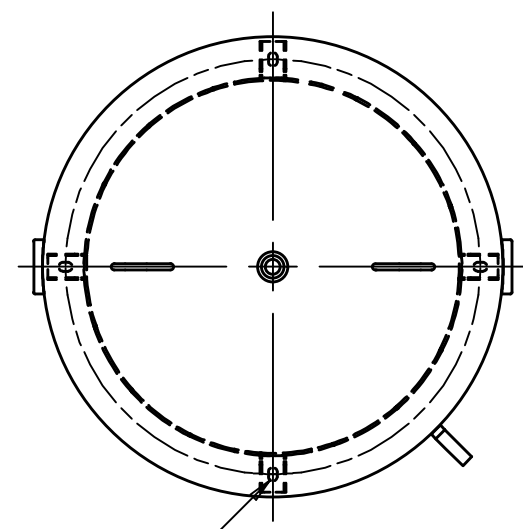
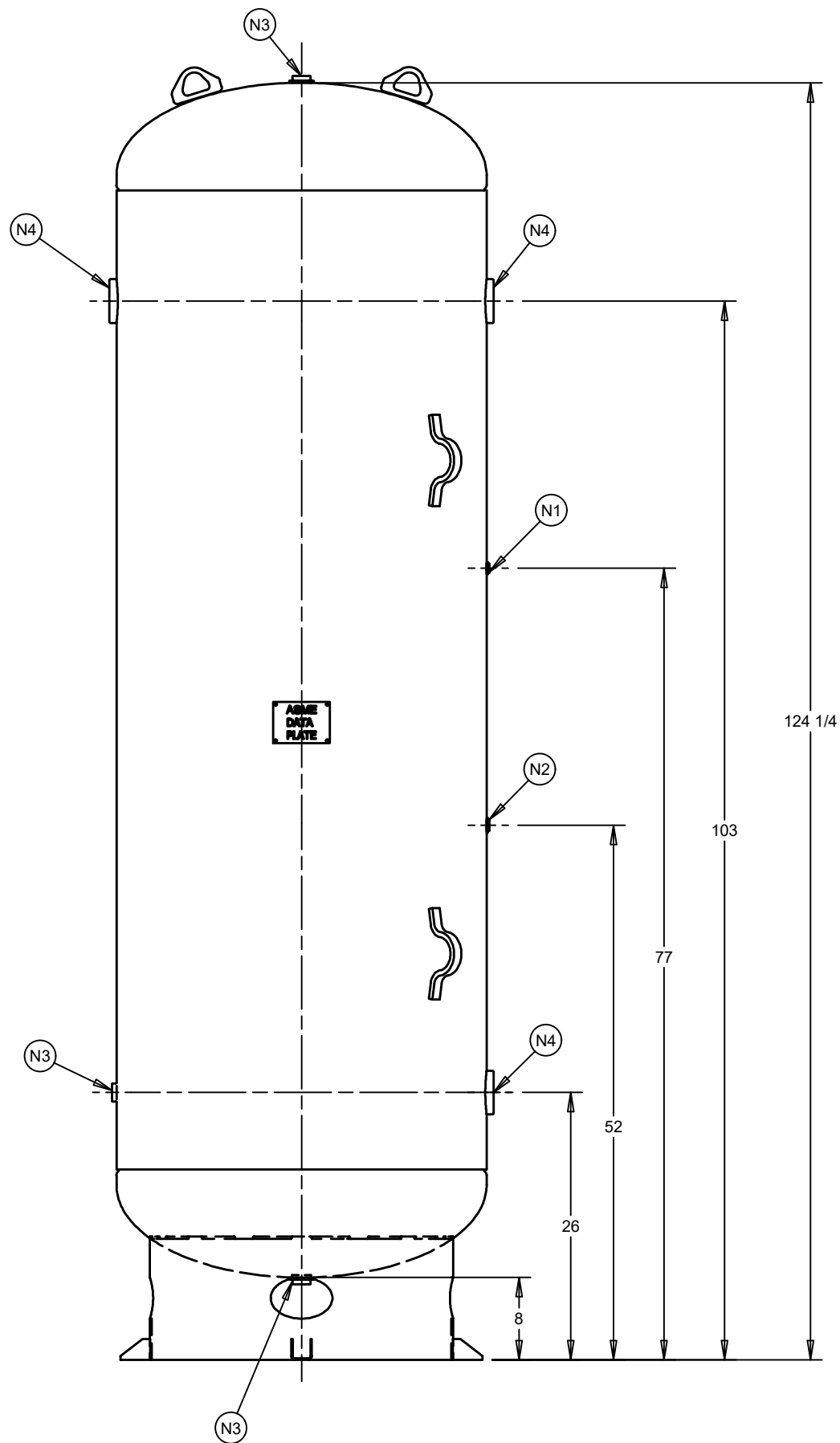


NOZZLE CHART	
NOZZLE ID	NPT SIZE
N1	1/4
N2	1/2
N3	1
N4	3



11/16 X 1 1/16 SLOT 4-PLACES  
EQUALLY SPACED  
ON A 32 13/32 DIA BC

**TOP VIEW**



DESIGN INFORMATION	
SPECIFICATION	VALUE
DIAMETER O.D./I.D.	36 O.D.
MAWP	200 PSI AT 400°F
MDMT	-20°F AT 200 PSI
CAPACITY	APPROX 500 GALLONS
SHIPPING WEIGHT	1135 LBS
CRN	L4040.5678901234T

TITLE <b>VERTICAL AIR RECEIVER</b>	
CUSTOMER <b>STOCK</b>	
TYPE <b>ASME</b>	

<b>SAMUEL</b> PRESSURE VESSEL GROUP			
DRAWN <b>KAT</b>	CHECKED <b>DMM</b>	DRAWING NO <b>A10130</b>	REV <b>E21</b>
9/11/2016	10/6/2016		
SIZE: B		SHEET 1 OF 1	

(BUILT IN ACCORDANCE WITH LATEST EDITION OF SECTION VIII DIV 1 ASME CODE)  
THIS DRAWING & SPECIFICATIONS ARE PROPERTY OF SPVG AND MAY NOT BE COPIED, REPRODUCED, OR USED IN WHOLE OR PART, AS A BASIS FOR DESIGN MANUFACTURE OR SALE WITHOUT PRIOR PERMISSION FROM SPVG.

E21	ISSUED		
REV	DESCRIPTION	BY	DATE