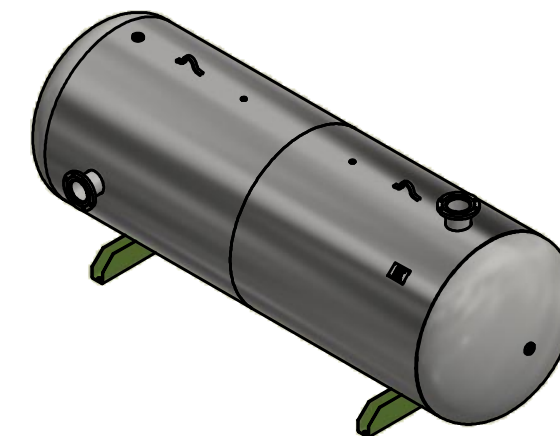
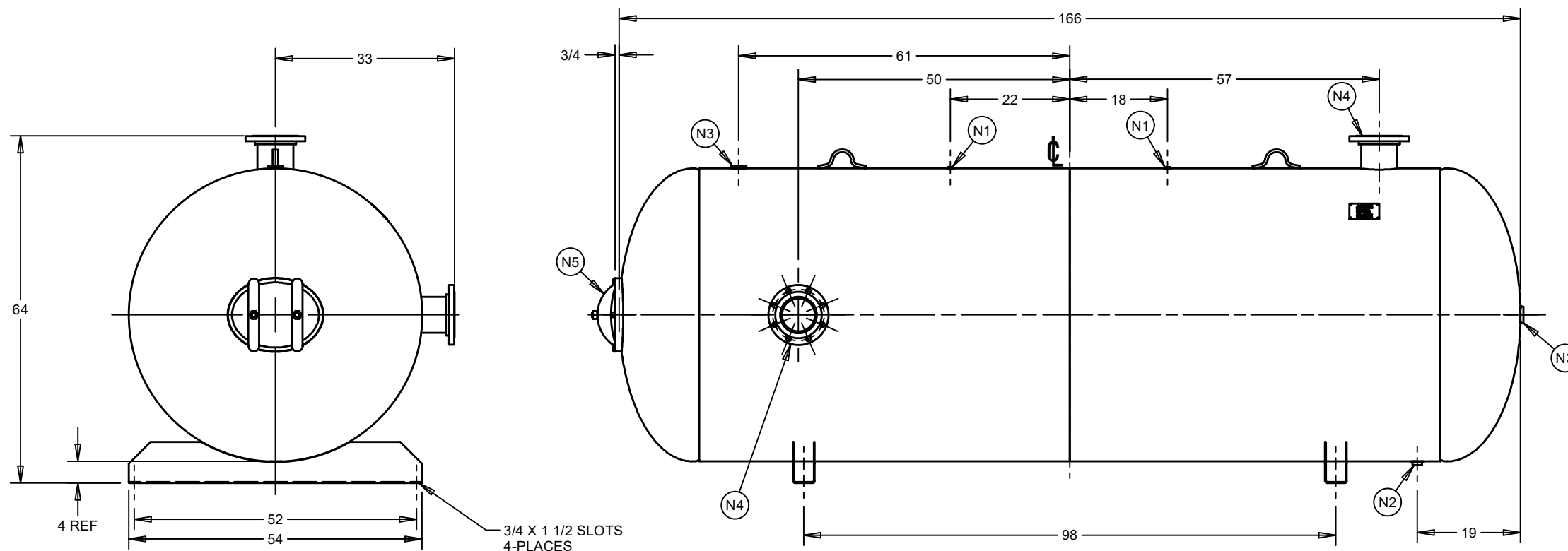


| NOZZLE CHART |          |
|--------------|----------|
| NOZZLE ID    | NPT SIZE |
| N1           | 1/2      |
| N2           | 1        |
| N3           | 2        |
| N4           | 6        |
| N5           | MANWAY   |



| DESIGN INFORMATION |                     |
|--------------------|---------------------|
| SPECIFICATION      | VALUE               |
| DIAMETER O.D./I.D. | 54 O.D.             |
| MAWP               | 165 PSI AT 400°F    |
| MDMT               | -20°F AT 165 PSI    |
| CAPACITY           | APPROX 1550 GALLONS |
| SHIPPING WEIGHT    | 3020 LBS            |
| CRN                | L6744.234561        |

|                                  |  |                   |                    |                       |            |
|----------------------------------|--|-------------------|--------------------|-----------------------|------------|
| TITLE<br>HORIZONTAL AIR RECEIVER |  |                   |                    |                       |            |
| CUSTOMER<br>STOCK                |  | DRAWN<br>KAT      | CHECKED<br>DMM     | DRAWING NO<br>C102285 | REV<br>G11 |
| TYPE<br>ASME                     |  | DATE<br>10/6/2016 | DATE<br>10/17/2016 | SIZE: B SHEET 1 OF 1  |            |

| REV | DESCRIPTION | BY | DATE |
|-----|-------------|----|------|
| G11 | ISSUED      |    |      |

(BUILT IN ACCORDANCE WITH LATEST EDITION OF SECTION VIII DIV 1 ASME CODE)

THIS DRAWING & SPECIFICATIONS ARE PROPERTY OF SPVG AND MAY NOT BE COPIED, REPRODUCED, OR USED IN WHOLE OR PART, AS A BASIS FOR DESIGN MANUFACTURE OR SALE WITHOUT PRIOR PERMISSION FROM SPVG.