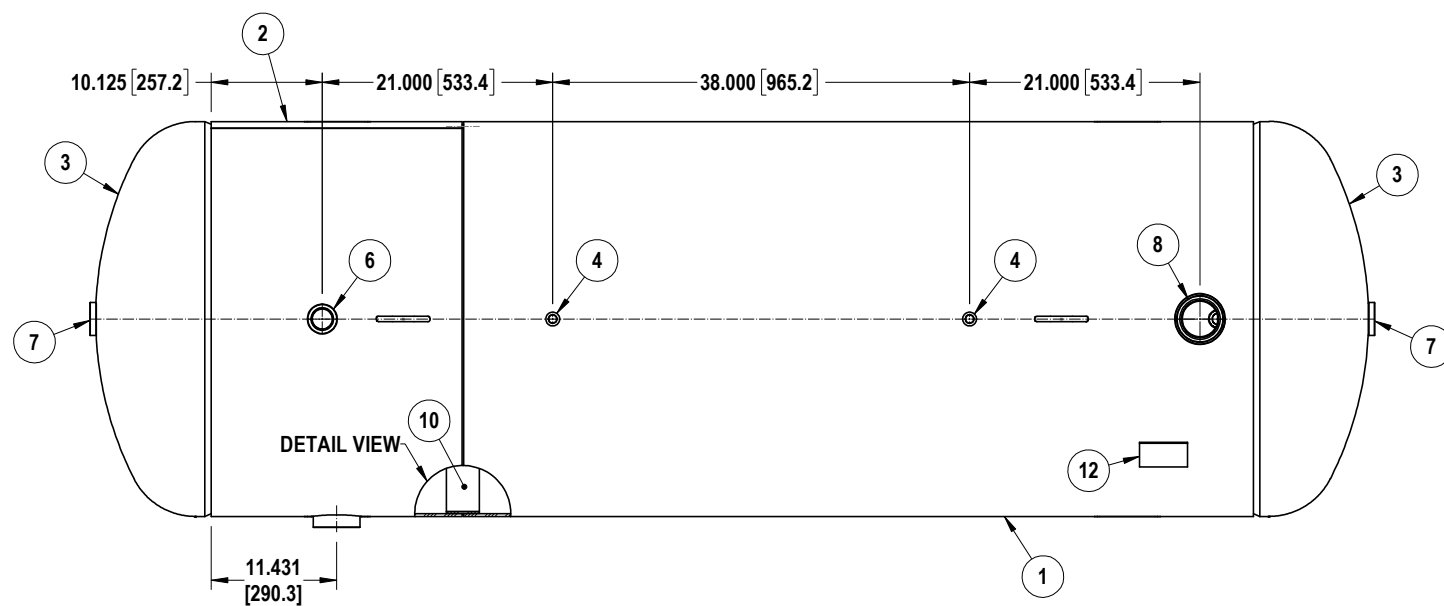
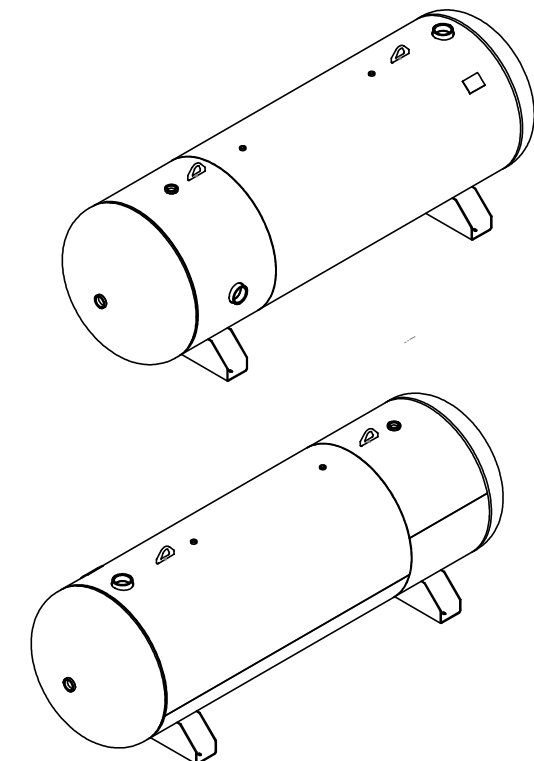
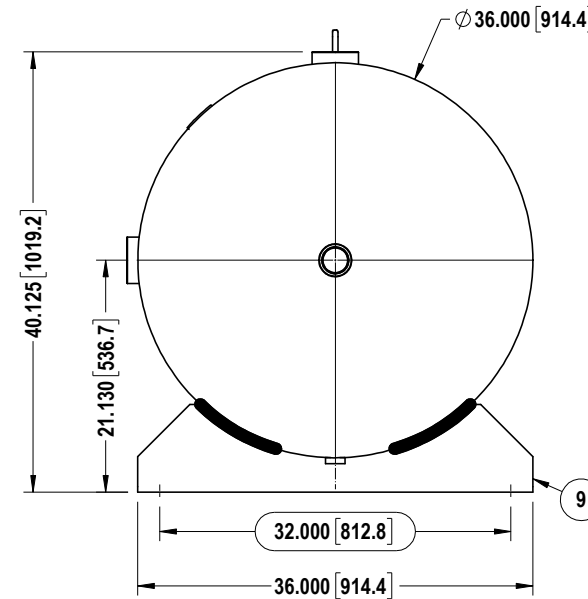
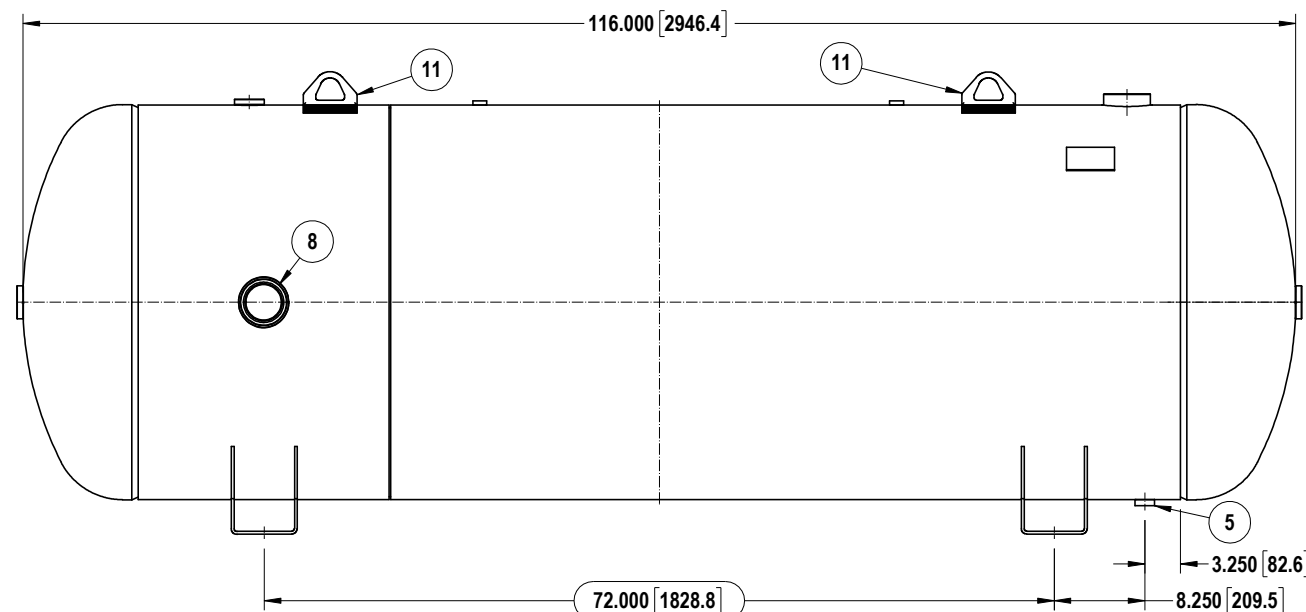


THIS DRAWING & SPECIFICATIONS ARE PROPERTY OF MORGANTON PRESSURE VESSELS AND MAY NOT BE COPIED, REPRODUCED, OR USED IN WHOLE OR PART, AS A BASIS FOR DESIGN, MANUFACTURE, OR SALE WITHOUT PRIOR PERMISSION FROM MORGANTON PRESSURE VESSELS.

DESIGN INFORMATION	
SPECIFICATION	VALUE
DIAMETER (O.D.)	36.000"
MAWP	200 PSI AT 650°F
MDMT	-20°F AT 200 PSI
CAPACITY	APPROX 500 GALLONS
APPROX. WEIGHT	1075 LBS



ITEM#	DESCRIPTION	QTY.
12	NAME PLATE	1
11	LIFTING LUG	2
10	BACKING STRIP	1
9	SADDLE	2
8	3" NPT HALF COUPLING	2
7	2" NPT COUPLING	2
6	1-1/2" NPT COUPLING	1
5	3/4" NPT COUPLING	1
4	1/2" NPT COUPLING	2
3	HEAD	2
2	SHORT SHELL	1
1	LONG SHELL	1

NOT FOR PRODUCTION USE

	TOLERANCES, IF NOT INDICATED, ACCORDING TO: C-G SE 03.03 / 3
	DWG. NO. VES0010721
-ASME- SECTION VIII DIV. 1 500 GALLON HORIZONTAL VESSEL	NOT FOR PRODUCTION USE